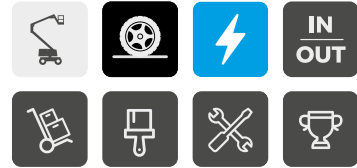


## HA12 IP



### EXCELLENT MANOEUVRABILITY IN THE TIGHTEST SPACES

- > Compact size with 1.35 m width
- > Stowed height can pass through a standard doorway
- > 136° (+ 64° / - 72°) fly jib range of motion
- > Tight turning radius (2.4 m)

### OPTIMAL PRODUCTIVITY AND COMFORT

- > 6.5 m outreach
- > Long working cycles
- > Full proportional controls

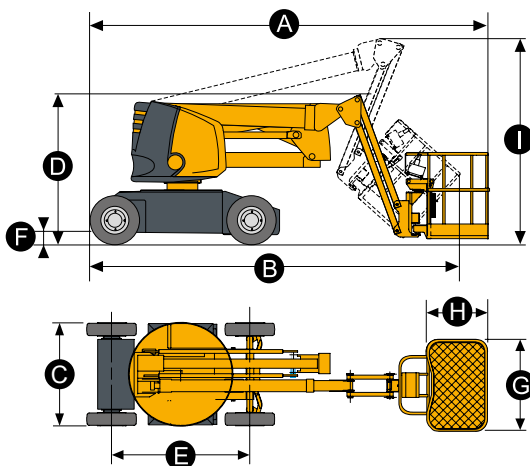
### ROBUST, RELIABLE AND EASY TO MAINTAIN

## ELECTRIC ARTICULATING BOOMS

### TECHNICAL DATA

#### HA12 IP

Working height	12 m
Platform height	10 m
Horizontal outreach	6.5 m
Up and over clearance	5.3 m
Lift capacity - inside	230 kg (2 pers.)
Lift capacity - outside	230 kg (2 pers.)
<b>A</b> Length	5.4 m
<b>B</b> Length - transport	4.8 m
<b>C</b> Width	1.35 m
<b>D</b> Height - stowed	2 m
<b>E</b> Wheelbase	1.8 m
<b>F</b> Ground clearance	16 cm
<b>G</b> x <b>H</b> Platform size	1.2 x 0.8 m
<b>I</b> Height - transport	2.6 m
Platform rotation	170° (+ 80 / - 90)
Turntable rotation	355 °
Vertical jib rotation	136° (+ 64 / - 72)
Tilt	3 °
Tailswing	0 cm
Proportional drive speed	0.7 - 4.5 km/h
Maximum wind speed rating	45 km/h
Gradeability	25 %
Turning radius - outside	2.4 m
Tyres - non marking	6 x 12"
Energy	48 V - 345 Ah (C5)
Weight	5 900 kg



### STANDARD EQUIPMENTS

- > 2 wheel drive and steer
- > Brake release
- > Non marking tyres
- > Sensitive control box
- > Slewing block pin
- > Horn
- > Hourmeter
- > Emergency hand pump
- > Semi-traction battery
- > 48 V - 50 A battery charger
- > Battery charge indicator
- > Towing hooks and lifting eyes

### OPTIONS AND ACCESSORIES

- > Large basket option 1.4 m x 0.8 m (lift capacity 200 kg)
- > Power to platform
- > Air line to platform
- > Biodegradable oil
- > 360 Ah traction batteries
- > Centralised battery filling
- > Travel alarm
- > Flashing light

